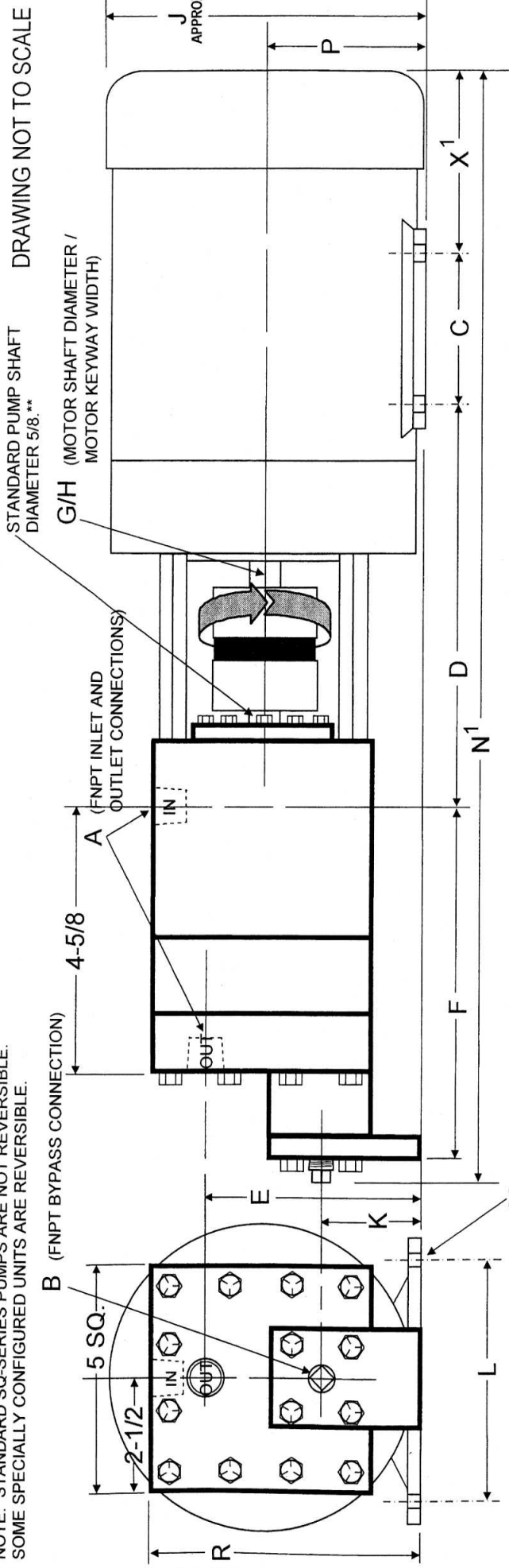


NOTE: STANDARD SQ-SERIES PUMPS ARE NOT REVERSIBLE.
SOME SPECIALLY CONFIGURED UNITS ARE REVERSIBLE.



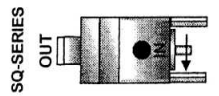
DRAWING NOT TO SCALE

*FOR EXTRA LENGTH 1-INCH DIAMETER DRIVE SHAFT
ADD 2¹³/₁₆-INCH TO D AND N¹ DIMENSIONS

PUMP MODEL NUMBER	MOTOR FRAME NUMBER	A	B	C	D*	E	F	G	H	J	K	L	M	N ¹ *	P	R
ALL SQ-SERIES STANDARD MODEL TYPES	56C	3/4	1/2	3	8-3/4	4-3/4	6-5/8	5/8	3/16	7-1/8	2-1/8	4-7/8	11/32	23-1/4**	3-1/2	6
SQ-1, SQ-H, SQ-HH, AND SQ-HH8. **	143TC	3/4	1/2	4	8-9/16	4-3/4	6-5/8	7/8	3/16	7-1/8	2-1/8	5-1/2	11/32	24-1/2	3-1/2	6
	145TC	3/4	1/2	5	8-9/16	4-3/4	6-5/8	7/8	3/16	7-1/8	2-1/8	5-1/2	11/32	25-1/2	3-1/2	6

ALL NUMERALS IN DIMENSION TABLE AND ON DRAWING REPRESENT INCHES, ±1/16.

***1 AVERAGE VALUES FOR STANDARD CONFIGURATION MODELS WITH 5/8 DIAMETER DRIVE SHAFTS ARE LISTED IN THE "N" COLUMN. WHEN THERE ARE DIFFERENT HORSEPOWER RATINGS, RPM RATINGS, OR OTHER MANUFACTURING VARIANCES IN THE SAME FRAME SIZE, THE MOTOR MOUNTING DIMENSIONS REMAIN UNCHANGED, BUT THE "N" DIMENSION CAN BE LONGER OR SHORTER, DUE TO CORRESPONDING CHANGES IN MOTOR LENGTH, "X". ALSO, SPECIALLY-CONFIGURED SQ-SERIES UNITS UTILIZING 1-INCH DIAMETER DRIVE SHAFTS INCREASE THE LENGTH OF THE PUMP-MOTOR ASSEMBLY. SEE SPECIFIC MODEL APPLICATION INFORMATION, AND MOTOR MANUFACTURER'S DATA.



DIMENSION DRAWING
SQ-SERIES
LIQUEFIED GAS PUMPS

SMITH PRECISION PRODUCTS COMPANY
1299 LAWRENCE DRIVE
NEWBURY PARK, CA 91320

RS 4-15-05
RLS 12-7-09

D-SQ-1-H